

# Colonial Series Glass Railing

## Installation Instructions - Deck Application



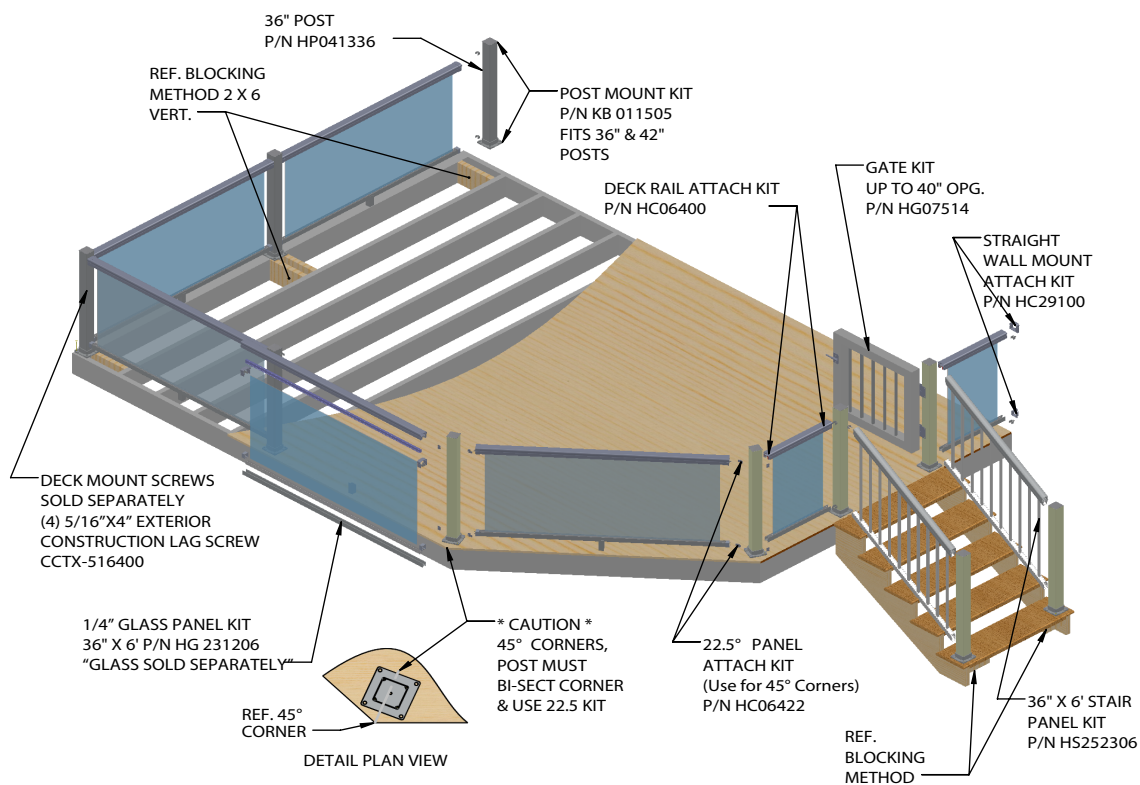
2910 Waters Road  
Eagan, MN 55121  
855-742-7245

### Items Required for Installation

- Appropriate fasteners for mounting posts to deck
- Miter saw with carbide-tipped non-ferrous blade
- Cordless drill
- Tape measure
- Level
- Power cords, drop sheets and safety glasses
- Drill bit 3/16"
- #2 Square driver bit
- Bottom receiver jig - optional

For the most recent installation instructions, go to our website at [www.ultralox.com](http://www.ultralox.com)

Prior to construction, check with your local regulatory agency for special code requirements in your area. Common railing height is 36" or 42". Post spans will vary depending on job site conditions. Never span more than 6' on-center between railing posts. Spans longer than 12' in length will require reduced post spans. Refer to the system evaluation at the end of these instructions. For all other applications, consult a design professional or an UltraLox representative for more information. Read instructions completely to get an understanding of how the product goes together and how each piece affects the other.



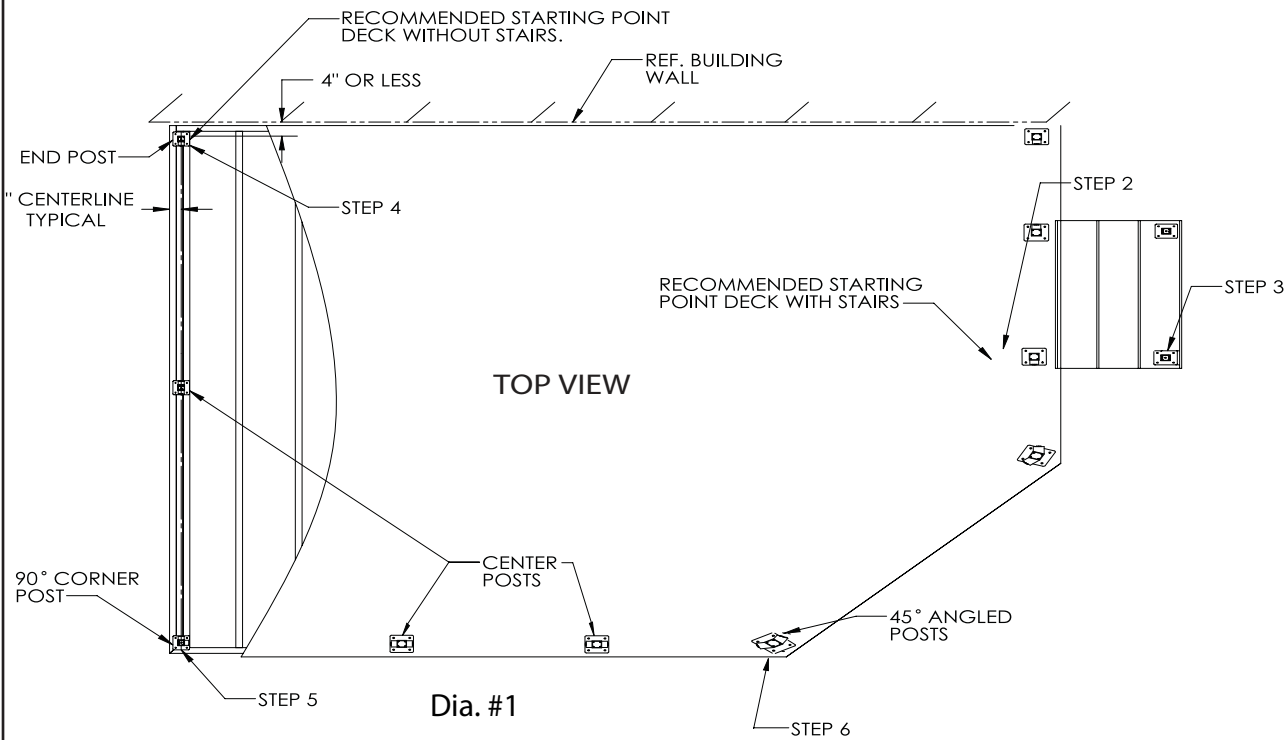
## Key Notes

- Review materials and UltraLox installation instructions to ensure all necessary materials are present prior to beginning installation.
- On wood structures, review outer deck framing and determine post placement. Solid, structural blocking is required at all post locations. Typical rail centerline is 3" from deck edge; however, rail centerline can be adjusted to suit the application.
- Review and confirm a solid, structural mounting surface is present at building/column locations where railing ends connect to the structure.
- Refer to [www.ultralox.com](http://www.ultralox.com) for stair installation instructions.
- Posts may require shimming to ensure all posts are plumb and level.
- For installations into wood framing, drill pilot holes through deck boards to prevent splitting.
- When installing posts, ensure proper blocking is installed under post attachment locations. Use proper attachment screws or anchors as directed in these instructions. Deck attachment screws are not provided with railing kits.
- Consult your UltraLox representative for installation methods not covered in this instruction guide.

# Full Glass Panel View

# Step 1

Determine post configurations & locations (i.e. end, center, corner, etc.) Dia. #1.

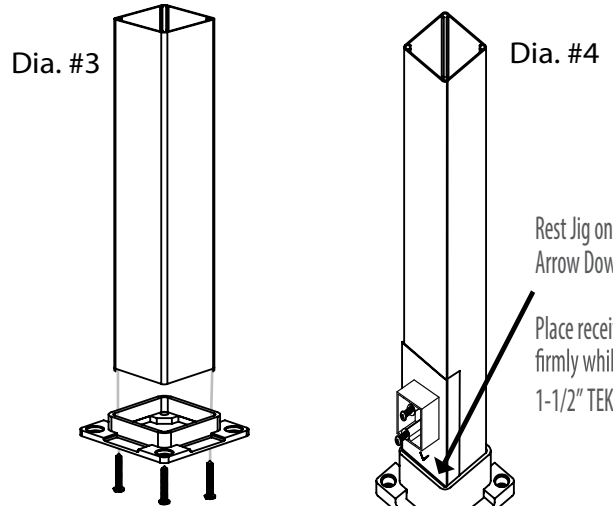
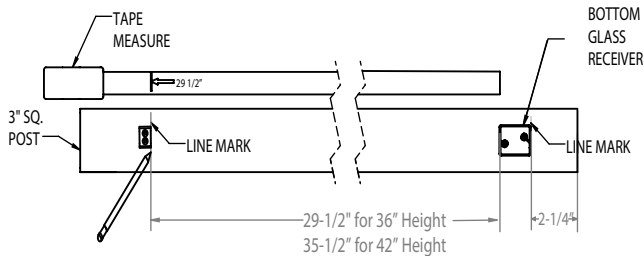


## Step 2 - Post preparation (Option 1 - No Jig)

## Step 2a - Post preparation (Option 2 - W/Jig)

- Measure 2-1/4" from end of post extrusion and place a pencil mark for location of bottom edge of glass receiver (Dia. #3).
- Position bottom edge of glass receiver on pencil mark at 2-1/4", center receiver on post and secure with 2-#10 x 1-1/2" TEK screws.
- Once bottom receiver is secure, measure 29-1/2" (36" posts) from top edge of bottom glass receiver, mark a line for placement of top clip.
- Place rail clip bottom edge on pencil mark and center clip on post, secure with 2-#8x3/4" TEK Screws.
- Secure base plate to post extrusion with 4-#14x3" screws (Dia. #3).

- Secure base plate to extrusion (Dia. #3)
- Install lower receiver to appropriate post face using Jig (Dia. #4)
- Measure 29.5" from the top edge of the lower receiver (Dia. #2) and place a pencil mark for placement of bottom edge of upper clip.
- Place rail clip bottom edge on pencil mark and center clip on post, secure with 2-#8x3/4" TEK Screws.



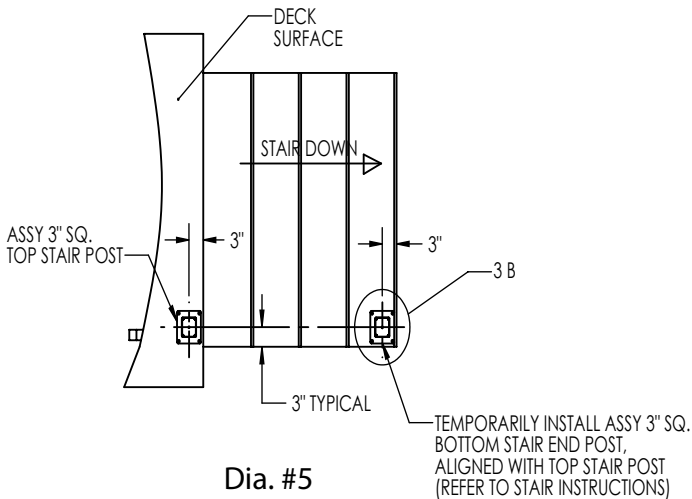
Base to post, using 4x #14 x 3" screws

## Step 3

### Installation of stair end posts (If applicable)

Temporarily install end stair post so rail centerline aligns with top stair posts installed in Step 1 (if applicable). Recommended post installation locations are as shown.

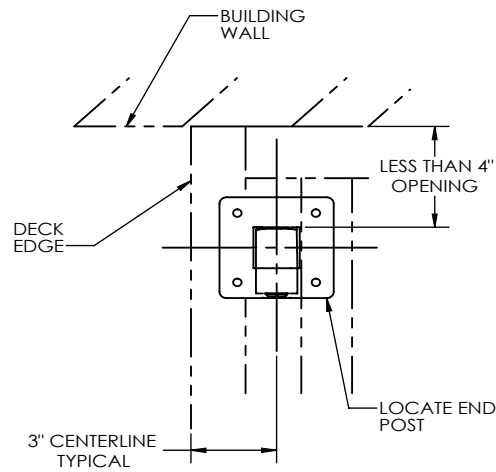
Return to completing deck railing installation; upon completion of deck railing, refer to UltraLox Stair railing installation instructions, online at [www.ultralox.com](http://www.ultralox.com).



## Step 4

### Installation of end posts

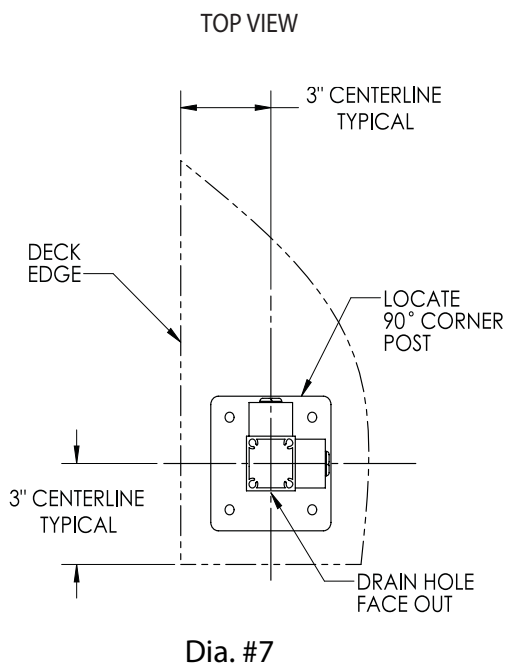
Install posts at all end locations with maximum gap between post and wall to be less than a 4" opening.



## Step 5

### Installation of 90-degree corner posts

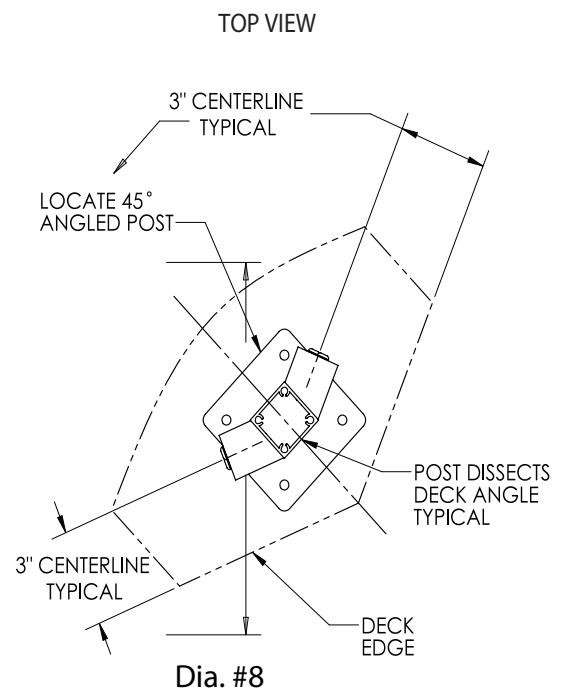
Position post on same 3" centerline (typical) and temporarily fasten using a single fastener through base plate mounting hole.



## Step 6

### Installation of 45-degree corner posts

Position post on same 3" centerline (typical) and temporarily fasten to deck surface.

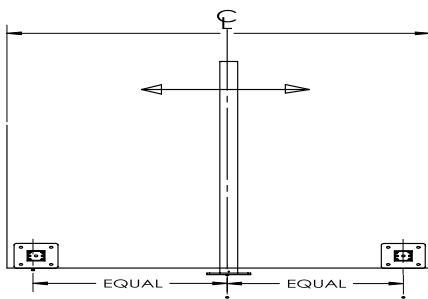
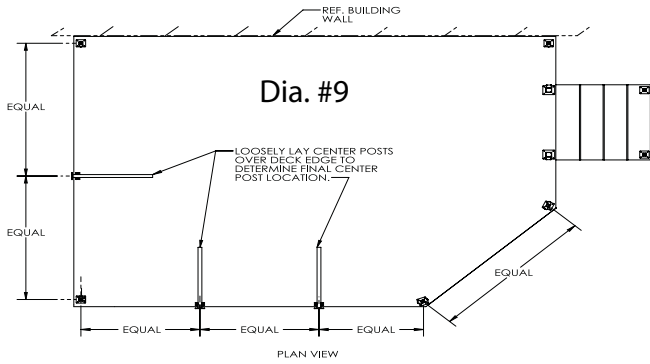


## Step 7

### Determining center post locations

Loosely lay center post over deck edge and adjust as required to determine final center post mounting locations. (See Dia. 9 & 10)

#### TOP VIEW



## Step 8

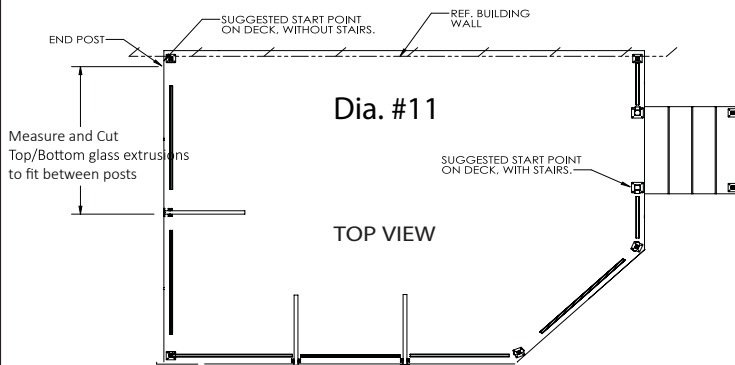
### Dia. #10

### Cut top and bottom rail glass extrusions

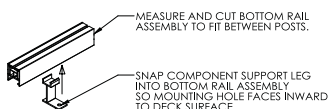
Measure and cut top and bottom rail extrusions to fit between posts.

Note: Bottom vinyl should be cut with bottom rail extrusions, top rail vinyl should be removed before cutting. (See Dia. #11).

Snap component bottom support leg into bottom rail assembly so mounting hole faces inward to deck surface. (See Dia. #12).



### Dia. #12



## Step 9

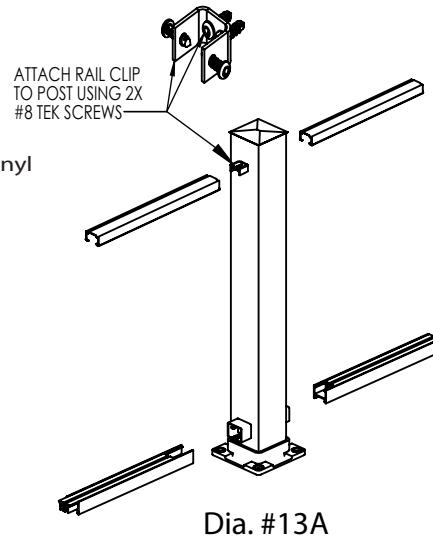
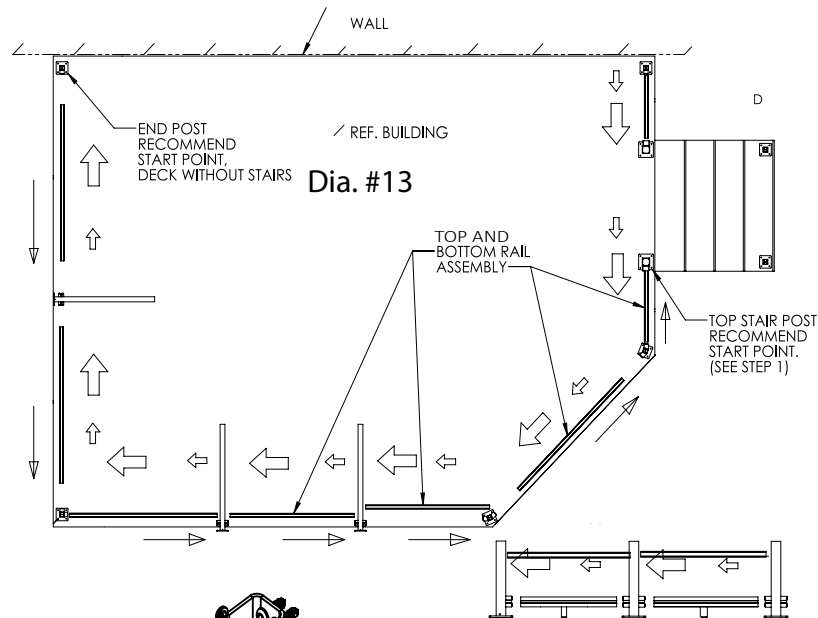
### Installation of top and bottom glass extrusions

Starting at end post or top stair post (Dia. #13) install the bottom rail extrusion, w/vinyl insert, into the bottom receiver of the first 2 posts. Next, slide the top rail glass extrusion, without the vinyl installed, onto the upper rail attachment clips.

Secure the posts to deck surface, then secure top rail glass extrusion to top railing attachment clip (Dia. #13A&B). Continue working from one post to the next. Install next piece of bottom rail, then secure the top rail extrusion to the rail clips until all rail sections are fastened to posts and posts are secured to deck surface.

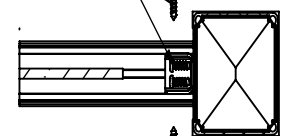
Center bottom support legs between posts and fasten to deck.

#### TOP VIEW



### Dia. #13A

2X INSTALL  
#8 TEK SCREW  
2 OUTSIDE  
2 INSIDE



### Dia. #13B

## Step 10

### Installation of top rail snap

Measure between each secured post and cut top rail snap 1/16" less than opening size (Dia. 15). Clean cut areas and apply touch-up paint on all exposed metal. Snap each top rail snap over the corresponding glass rail extrusion until properly seated.



Dia. #15

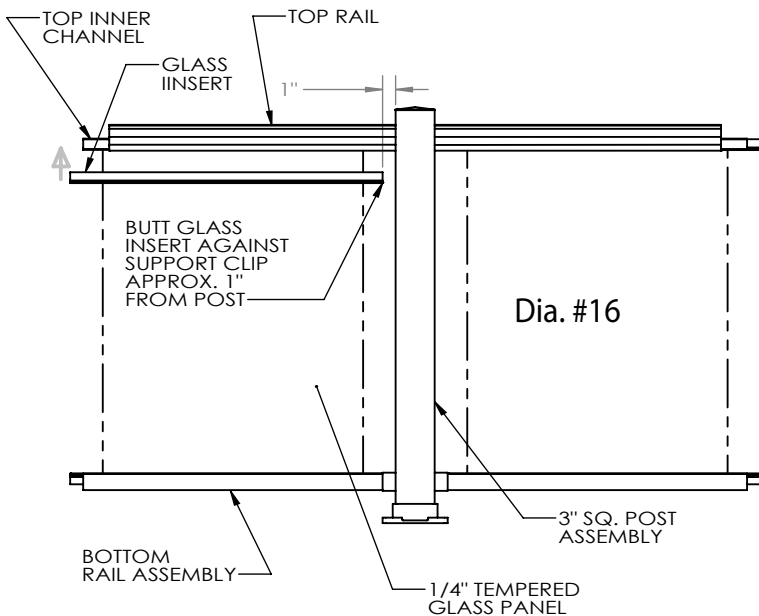
After cutting top rail snap and painting, push snap down by hand until properly seated.

**DO NOT USE A HAMMER!**

## Step 11

### Installation of top glass inserts

Measure between posts and subtract 2" from overall measurement. Cut top glass insert to provide clearance at post clip locations and insert vinyl into top rail extrusion (Dia. #16).

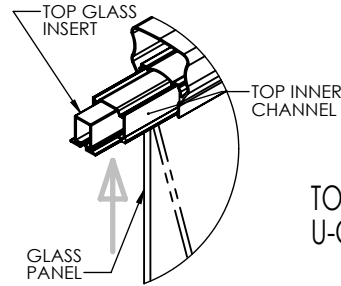


## Step 12

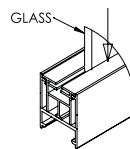
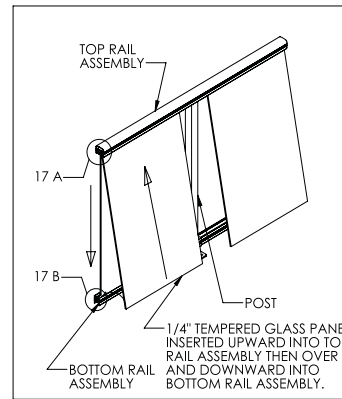
### Installation of glass panels

Position glass so gap between panel edge and post is equal on both ends. Glass gap at ends is typically 3" but can vary depending on application. Maximum gap must be less than 4". Insert glass panels upward into glass insert (Dia. #17A) and swing panel over opening in bottom rail glass insert. Pull panel downward until panel is resting firmly inside of bottom glass insert (Dia. 17B). Continue until all glass panels are installed.

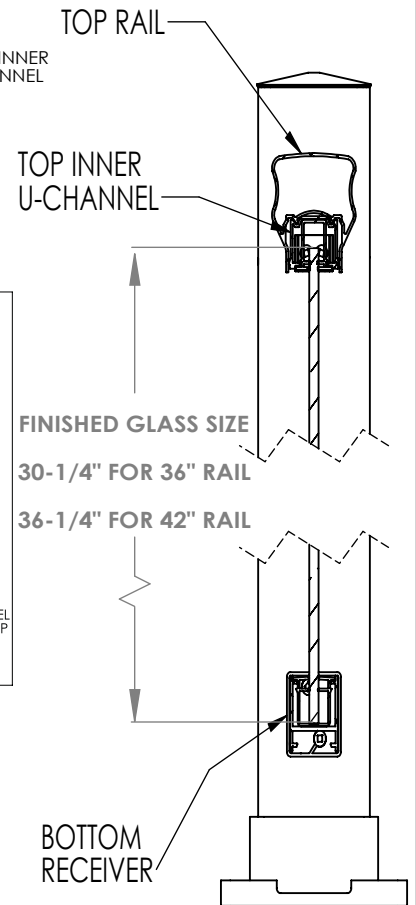
**\*\*TIP\*\*** Window cleaner may ease glass installation into top and bottom rail assemblies.



Dia. #17A



Dia. #17B



## Step 13

### Final Inspection

When railing is completely installed, complete one final check to ensure all fasteners are properly secured.

The diagrams and instructions in this brochure are for illustration purposes only and are not meant to replace a licensed professional. Any construction or use of the product must be in accordance with all local zoning and/or building codes. The consumer assumes all risks and liability associated with the construction or use of this product. The consumer or contractor should take all necessary steps to ensure the safety of everyone involved in the project, including, but not limited to, wearing the appropriate safety equipment. Except as contained in the written limited warranty, UltraLox does not provide any other warranty, either express or implied, and shall not be liable for any damages, including consequential damages.