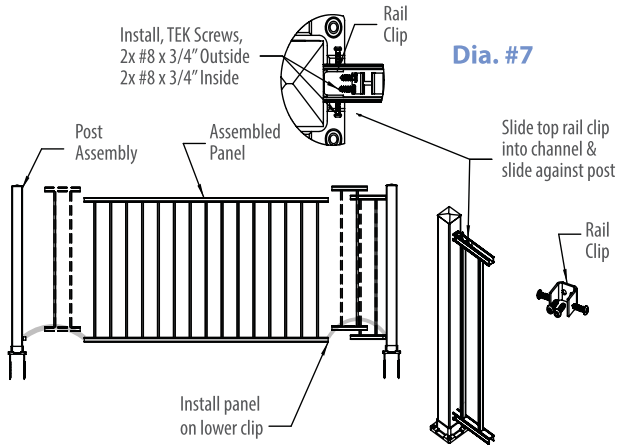


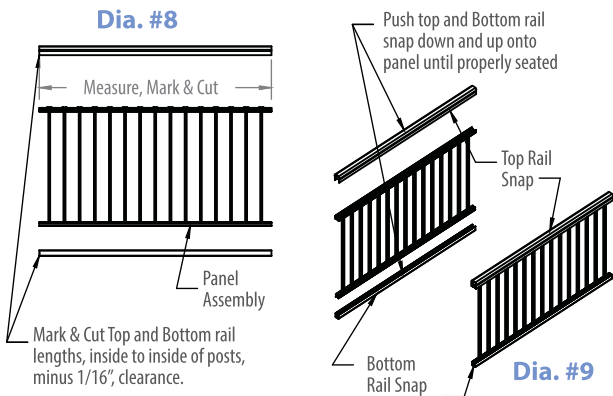
STEP FOUR - Secure Deck Panels to Posts

- Slide bottom channel of pre-cut panel on to lower clip. (Dia. #7)
- Insert clips into top channel of panel on each end.
- Using (4) - #8x3/4" TEK screws, attach the upper 2-clips to the post.
- Using (8) - #8x3/4" TEK screws, secure the upper and lower clips to the panel.



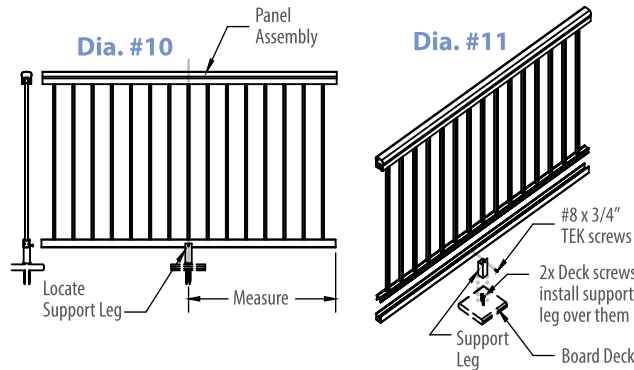
STEP FIVE - Cut and Install Top and Bottom Rail Snaps

- Measure between posts at the top and bottom. (Dia. #8)
- Cut snaps 1/16" less than opening size.
- Clean cut areas and apply touch-up paint on all exposed metal.
- Snap each rail snap over the corresponding rail channel until properly seated. (Dia. #9)



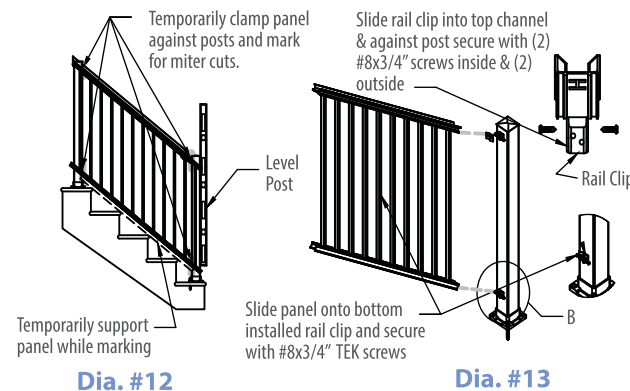
STEP SIX - Install Support Legs

- For openings greater than 4', install support legs under center of bottom rail. (Dia. #10)
- Slide support leg under bottom rail and mark.
- Install two deck screws at location of support leg, install support leg over screws.
- Using (1) - #8x3/4" TEK screws, secure the support leg to bottom rail. (Dia. #11)



STEP SEVEN - Install Stair Panels

- Hold stair panel against posts and adjust for equal end spacing. (Dia. #12)
- Mark the panel at 4 locations of post connection.
- Mitre cut panel at marked locations and place panel in opening. Cut rail 1/16" less than opening.
- Mark posts for location of bottom rail clips.
- Remove panel and install clips. (Dia. #13)
- Clean cut areas & apply touch-up paint on exposed metal.
- Place cut panel between posts, push rail onto bottom clips, place upper clips into upper channel, attach clips to post and secure panel to all clips as per step 4.
- Mitre cut and install top and bottom rails as per Step 5.



Aluminum Picket Railing Installation Instructions



SUGGESTED TOOLS:

Cordless Drill	Level
Pencil	Tape Measure
3/8" Hex Driver Bit	#2 Sq. Drive Bit
Safety Glasses	3/16" Drill Bit
Mitre Saw W/Non-Ferrous Blade	

IMPORTANT NOTE:

Actual Picket Panel Sizes Are As Follows:

6' Panels = 69.55"

8' Panels = 91.43"

3" posts are required to reach 6' & 8' lengths

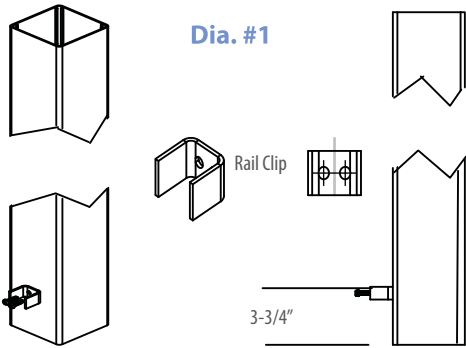
It is the responsibility of the installer to meet all local code requirements and obtain all required building permits. The installer should determine and implement appropriate installation techniques for each installation situation. Williams Architectural Products or its reseller shall not be held responsible for improper or unsafe installations.

STEP ONE - Determine necessary posts required and assemble (end, center or corner)

Two options to install lower deck rail clips:

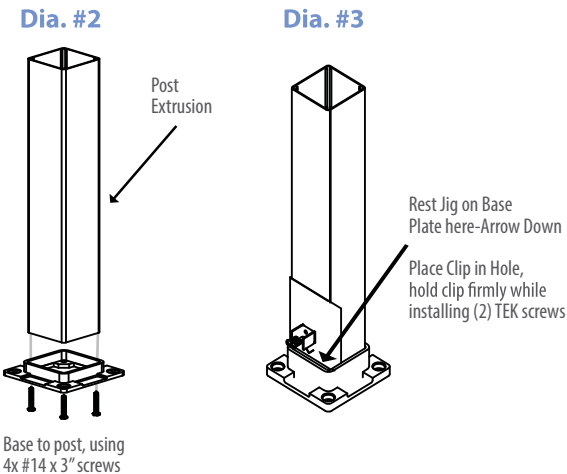
Option 1 - When No Lower Rail Clip Jig Is Available

- Measure 3-3/4" from end of post extrusion and place a pencil mark for location of the top edge of the rail clip. (Dia. #1)
- Center clip on post and secure with (2) - #8x3/4" TEK screws.
- Secure base plate to post extrusion. (Dia. #2)



Option 2 - Using Lower Rail Clip Jig P/N-RJ09700

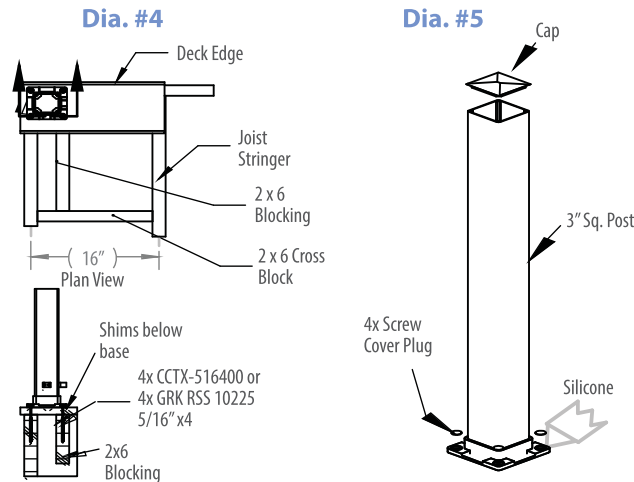
- Secure base plate to post extrusion. (Dia. #2)
- Place lower rail clip jig (w/arrow facing base plate) on top of base plate upper edge. (Dia. #3)
- Place clip in hole and fasten with (2) - #8x3/4" TEK screws.



STEP TWO - Securing Posts to Deck

Install proper post blocking as per (Dia. #4). Use proper attachment screws or anchors as directed below. (Deck screws at each post location, are not provided with kits).

- With 3/16" drill bit, pre-drill through deck boards and into blocking.
- Level and plumb post using shims.
- Secure posts to deck with suggested screws.
- Install post cap and screw cover plug. (Dia. #5)



STEP THREE - Cut Deck Panels

- Clamp or hold panel against posts, adjust for equal end spacing. (Dia. #6)
- Mark the top and bottom rails.
- Cut panel 1/16" less than opening size.
- Clean cut areas and apply touch-up paint on exposed ends.

